

R150, R150B



Water
Management

Automatic filling valve

Datasheet
0154EN 12/2020



R150



R150B

In a closed system, it is necessary to install a pressure reducing valve, which connects the heating system to the water supply and would allow the filling up to the pre-selected working pressure.

It is good practice to connect two ball valves to the group, one upstream and one downstream, to facilitate the isolation and adjustment of the filling valve.

It is also a good practice to install upstream a backflow preventer, which allows to stop any uncontrolled water injections into the system in case of leakage.

During the first stage of the starting of the system, it automatically supplies water into the system little by little while air will be purged through the air vent valves installed on the high points of the system or on the heating elements.

During this phase, if there is a loss of pressure on the supply line, a check valve can avoid backflow.

A manometer installed on one of the two connections will indicate any loss of pressure into the system and will permit a quick detection of possible leakages.

➤ Versions and product codes

SERIES	PRODUCT CODE	CONNECTIONS
R150	R150Y103	G 1/2"F
R150B	R150BY103	G 1/2"M x G 1/2"F

➤ Technical data

- Max. working temperature: 70 °C
- Inlet max. pressure: 10 bar
- Pressure setting: 0,5÷3 bar
- Pressure gauge connections: G 1/4"F
- Cap G 1/4"M included

Plug can be replaced by a drain-cock on the opposite connection of the pressure gauge which makes easier to check the setting of the pressure reducer.

Operation and setting

R150 filling valve consist of pressure reducer and a check valve and completely protected by a stainless-steel filter.

It is possible to inspect the entire group by unscrewing the lower part.

Using a screwdriver, it is possible to turn the screw on the top of the valve and adjust the supply pressure.

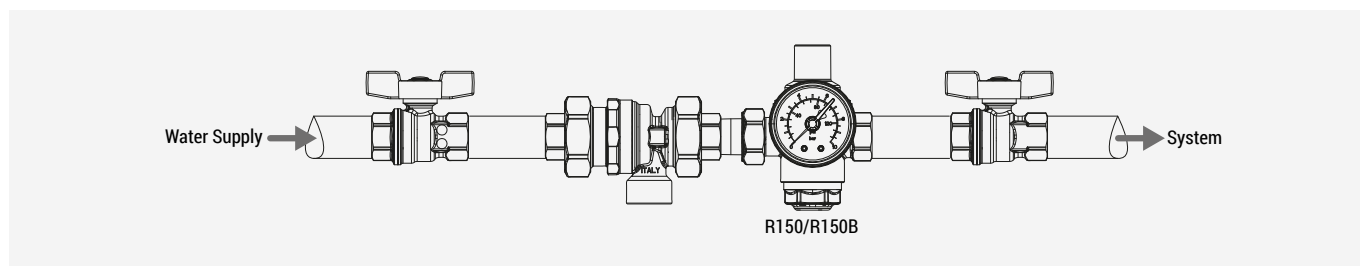
Turning it counter-clockwise increases the set pressure while turning it clockwise decreases.

The progress of the pressure into the working system, during the filling up, is visible on the manometer that can be connected to the body of the valve.

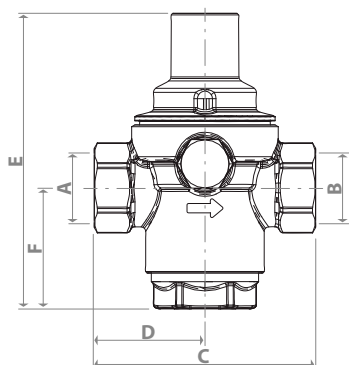
It is recommended to filter the water and to install R624 backflow preventer with atmospheric intermediate vent on the upstream of the filling valve.

For pressure setting, a shut off valve must be installed downstream of the filling valve.

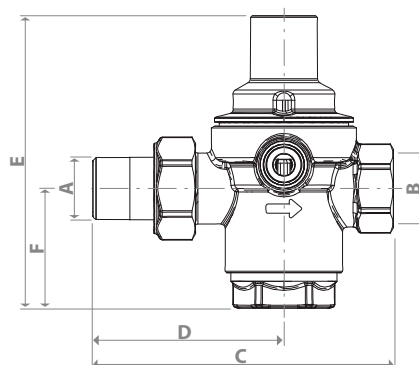
Once the installation has been completed in accordance with the below diagram, setting operations can be carried out following the instructions sheet that comes with the product.



Dimensions



PRODUCT CODE	A x B	C [mm]	D [mm]	E [mm]	F [mm]
R150Y103	G 1/2" F	72	36	99	44



PRODUCT CODE	A x B	C [mm]	D [mm]	E [mm]	F [mm]
R150BY103	G 1/2" M x G 1/2" F	98	62	99	44

⚠ Safety Warning. Installation, commissioning and periodical maintenance of the product must be carried out by qualified operators in compliance with national regulations and/or local standards. A qualified installer must take all required measures, including use of Individual Protection Devices, for his and others' safety. An improper installation may damage people, animals or objects towards which Giacomini S.p.A. may not be held liable.

♻ Package Disposal. Carton boxes: paper recycling. Plastic bags and bubble wrap: plastic recycling.

ℹ Additional information. For more information, go to giacomini.com or contact our technical assistance service. This document provides only general indications. Giacomini S.p.A. may change at any time, without notice and for technical or commercial reasons, the items included herewith. The information included in this technical sheet do not exempt the user from strictly complying with the rules and good practice standards in force.

♻ Product Disposal. Do not dispose of product as municipal waste at the end of its life cycle. Dispose of product at a special recycling platform managed by local authorities or at retailers providing this type of service.