

# R156, R156-1

## Thermostatic mixer for domestic water systems



Water  
Management



Energy  
Management

Datasheet  
0246EN 01/2023



R156



R156-1

The R156 or R156-1 thermostatic mixer is installed on domestic water systems in order to achieve energy saving, greater comfort of use of hot water, elimination of the risk of burns caused by excessive operating temperatures.

It can be positioned in the boiler room on the rising pipes of domestic hot water, nearby boiler or storage boilers, or in the distribution boxes in case of removable domestic water systems with manifolds.

It is very important to install the mixer on the downstream to storage tanks in solar heating systems installations where the temperature of the storage tanks, especially in summer, could reach very high values, well above the temperatures to ordinary use. The wax bulb, immersed in the mixed flow, assisted by a balanced spring system, can ensure the maintenance of the required mixed temperature value, with rapid shifts of few millimeter tenths effected depending on the temperature change of the hot and cold supply waters.

### ➤ Versions and product codes

SERIES	PRODUCT CODE	CONNECTIONS	Kv
R156	R156X004	G 3/4" F	2,0
	R156X005	G 1" F	2,2
R156-1	R156X024	G 3/4" M	1,8
	R156X025	G 1" M	2,0

## ➤ Technical data

### Performances

- Max. working temperature: 100 °C
- Max. working pressure: 16 bar
- Temperature regulation range: 38÷60 °C
- Regulation scale subdivision: 1 °C
- Regulation accuracy: ±1 °C
- Knob with mechanical position stop

## ➤ Regulation

The R156 and R156-1 thermostatic mixer with five setting positions allow to set the mixed temperature in the range of 38÷60°C.

As stated in the table, each value of the numbering corresponds to a reference temperature.

For intermediate positions to the numbering values, you have mixing temperatures differentiated of about 1°C.

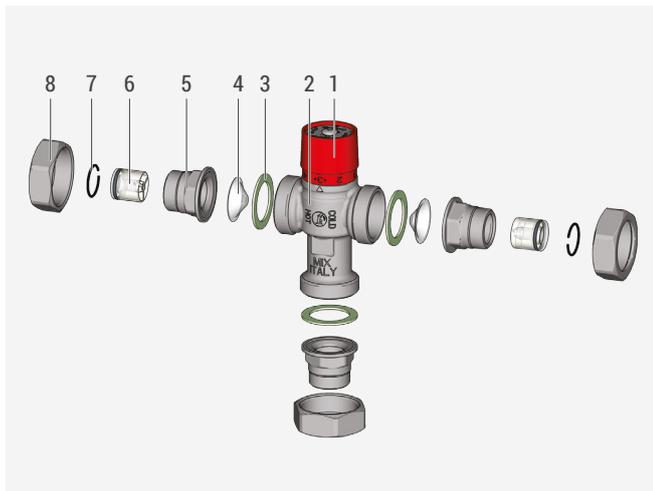
The setting regulation of the mixer is carried out by lifting the knob and turning it until it reaches the desired numbering and then repositioning it in the grooves present at the top of the body.

### Materials

- Body: chrome plated forged brass
- Springs: stainless steel
- Thermostatic bulb: wax
- O-Rings: Ethylene Propylene
- Knob: high resistance plastic

KNOB POSITION	MIXING TEMPERATURE [°C]
1	38
2	43,5
3	49
4	54,5
5	60

## ➤ Components



- 1 Regulation knob
- 2 Thermostatic mixer body
- 3 Gasket \*
- 4 Filter \*
- 5 Tail piece \*
- 6 Check valve \*
- 7 Sealing ring for check valve \*
- 8 Nut \*

\* Only for R156-1

## Installation

For a correct operation it is essential to follow the connections directions shown on the body.

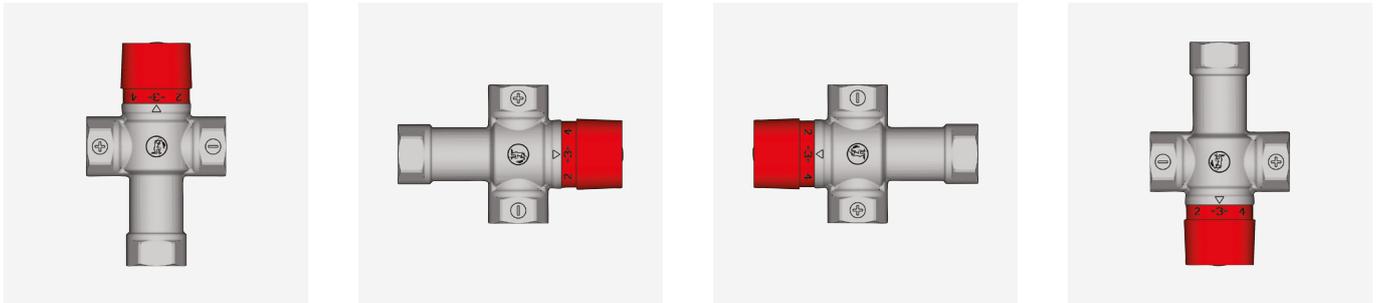
The connection marked by the sign **+** must be connected to the hot water, while the connection with the sign **-** must be connected to the cold water. The third way is marked by the word **MIX** and it is an outlet for mixed domestic water.

The correct operation of the thermostatic mixer can be assured if the temperature of cold and hot water supply are respectively lower and higher than the mixed water temperature.

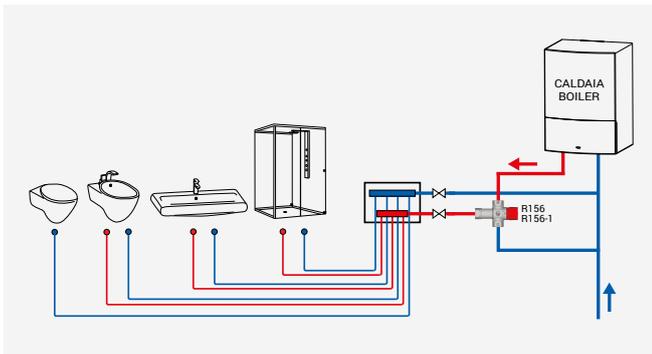
In order to avoid locks of mechanisms or loss of precision it is strongly advised to install on the domestic water system, filters capable of removing impurities and sand carried by water.

To carry out inspection or cleaning operations it is necessary to interrupt the piping with three-piece fittings, ball valves or at least make connections that can be disassembled.

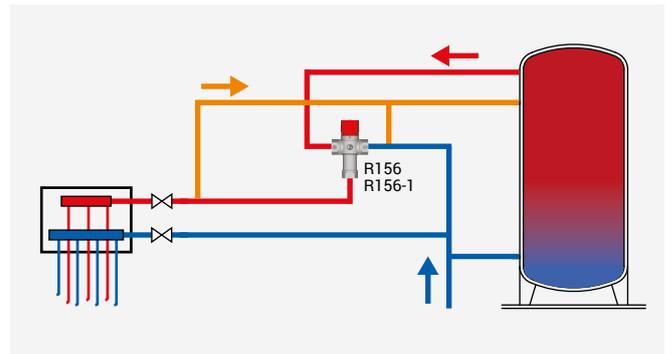
Thermostatic mixers can be installed in any position without compromising correct operation.



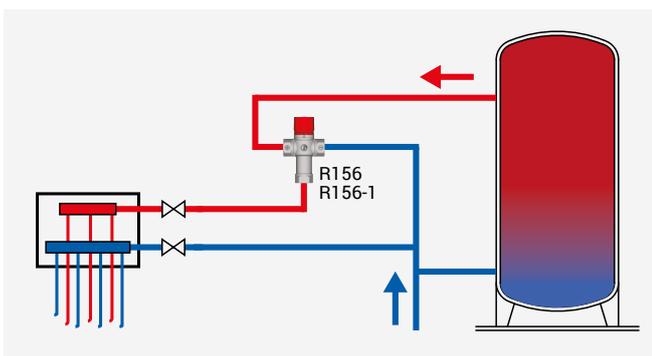
### Boilers and heat exchangers



### Domestic water systems with hot water recirculation

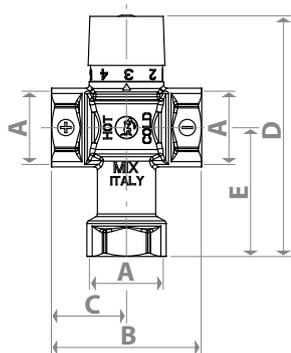


### Storage boilers for application with solar panels, electric water heaters



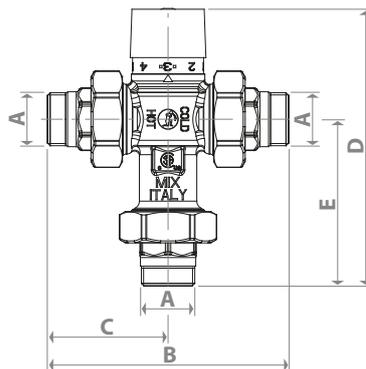
## ➤ Dimensions

### R156



PRODUCT CODE	A	B [mm]	C [mm]	D [mm]	E [mm]
R156X004	G 3/4" F	73	36,5	118	63
R156X005	G 1" F	73	36,5	118	63

### R156-1



PRODUCT CODE	A	B [mm]	C [mm]	D [mm]	E [mm]
R156X024	G 3/4" M	120	60	138	83
R156X025	G 1" M	128	64	143	88

## ➤ Product specifications

### R156

Adjustable thermostatic mixer. Female threaded connections G 3/4" or G 1". Chrome plated brass body; high resistance plastic knob; stainless steel springs; wax thermostatic bulb; Ethylene Propylene O-Ring. Temperature regulation range 38÷60 °C with regulation scale subdivision: 1 °C. Max. working temperature: 100 °C. Max. working pressure: 16 bar.

### R156-1

Adjustable thermostatic mixer. Tail piece male threaded connections G 3/4" or G 1". Chrome plated brass body; high resistance plastic knob; stainless steel springs; wax thermostatic bulb; Ethylene Propylene O-Ring. Temperature regulation range 38÷60 °C with regulation scale subdivision: 1 °C. Max. working temperature: 100 °C. Max. working pressure: 16 bar.

**⚠ Safety Warning.** Installation, commissioning and periodical maintenance of the product must be carried out by qualified operators in compliance with national regulations and/or local standards. A qualified installer must take all required measures, including use of Individual Protection Devices, for his and others' safety. An improper installation may damage people, animals or objects towards which Giacomini S.p.A. may not be held liable.

**♻ Package Disposal.** Carton boxes: paper recycling. Plastic bags and bubble wrap: plastic recycling.

**ℹ Additional information.** For more information, go to [giacomini.com](http://giacomini.com) or contact our technical assistance service. This document provides only general indications. Giacomini S.p.A. may change at any time, without notice and for technical or commercial reasons, the items included herewith. The information included in this technical sheet do not exempt the user from strictly complying with the rules and good practice standards in force.

**♻ Product Disposal.** Do not dispose of product as municipal waste at the end of its life cycle. Dispose of product at a special recycling platform managed by local authorities or at retailers providing this type of service.