

# R200



Energy  
Management

## Automatic air vent for radiators

Datasheet  
0113EN 12/2023



The **R200** automatic air vent valves are able to discharge large quantities of air formed in the hydraulic circuits of heating systems, especially in radiators.

In this way, the occurrence of negative phenomena that can cause malfunctions, such as annoying noises and/or air pockets, which affect the duration and performance of the heating system, is avoided.

The valves perform during normal system operation, where the discharge must take place intermittently and not continuously, with modest quantities of air to be discharged.

### ➤ Versions and product codes

PRODUCT CODE	CONNECTION
R200X001	G 1" M / RIGHT
R200X002	G 1" M / LEFT
R200X003	G 1-1/4" M / RIGHT
R200X004	G 1-1/4" M / LEFT

### ➤ Technical data

#### Technical characteristics

- Fluids of use: water, glycol solutions (max. 50 % of glycol)
- Temperature range: 5÷110 °C
- Maximum working pressure: 10 bar
- Maximum discharge pressure: 7 bar

#### Materials

- Body and plug: chrome plated brass
- Self-sealing gasket: EPDM
- Internal float: PP-H

#### Main characteristics

The self-sealing gasket made allows a rapid and easy installation on heat sources made of steel, cast iron and aluminium with very good aesthetic outcome. The internal float and the vent mechanism guarantee a continuous and silent automatic vent.

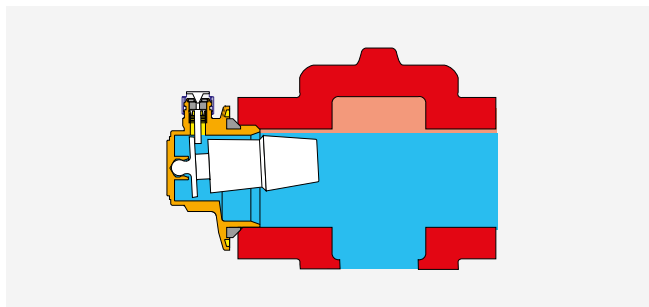
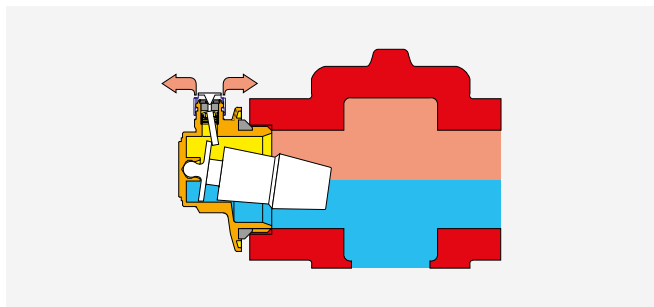
## ➤ Installation and operation

The correct assembly position that allows the regular valve operation, has the vertical vent upwards.

Misalignment of the vent as to the vertical, included in the range  $\pm 10^\circ$  due to the assembly, do not compromise the vent capabilities of the R200 valve. The cap of the vent must be unscrewed during the operation to allow the air discharge; by screwing it deeply, the passage orifice closes preventing the automatic vent.

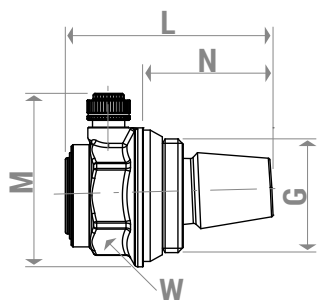
The regular operation of the R200 automatic air vent valve can be compromised if the system water carries suspended impurities. In these cases (if there is no possibility of installing filters) it is opportune to carry out periodical washing of the system, and upon demounting, proceed with a cleaning maintenance of the automatic valves, so as to keep them perfectly efficient.

**NOTE.** During the installation it is necessary to grease slightly the self-sealing gasket, in order to avoid damages due to excessive friction.



**WARNING.** Close the cap of the air vent valve when flushing and filling the system, to prevent impurities from entering the mechanisms of the valve and damaging it.

## ➤ Dimensions



PRODUCT CODE	CONNECTION G	L [mm]	M [mm]	N [mm]	W [mm]
R200X001	G 1" M / RIGHT	60	50	37	31
R200X002	G 1" M / LEFT	60	50	37	31
R200X003	G 1-1/4" M / RIGHT	60	62	35	31
R200X004	G 1-1/4" M / LEFT	60	62	35	31

## ➤ Product specifications

### R200

Automatic air vent valve for radiators with chrome plated brass body. Body and plug: chrome plated brass. EPDM self-sealing gasket. Fluids of use: water, glycol solutions (max. 50 % of glycol). Temperature range: 5-110 °C. Max working pressure: 10 bar. Maximum discharge pressure: 7 bar. Available in sizes 1" left or right, 1-1/4" left or right.

**⚠ Safety Warning.** Installation, commissioning and periodical maintenance of the product must be carried out by qualified operators in compliance with national regulations and/or local standards. A qualified installer must take all required measures, including use of Individual Protection Devices, for his and others' safety. An improper installation may damage people, animals or objects towards which Giacomini S.p.A. may not be held liable.

**♻ Package Disposal.** Carton boxes: paper recycling. Plastic bags and bubble wrap: plastic recycling.

**ℹ Additional information.** For more information, go to [giacomini.com](http://giacomini.com) or contact our technical assistance service. This document provides only general indications. Giacomini S.p.A. may change at any time, without notice and for technical or commercial reasons, the items included herewith. The information included in this technical sheet do not exempt the user from strictly complying with the rules and good practice standards in force.

**♻ Product Disposal.** Do not dispose of product as municipal waste at the end of its life cycle. Dispose of product at a special recycling platform managed by local authorities or at retailers providing this type of service.