

# R251P



Energy  
Management

## Ball valve for water for heating systems, standard port

Datasheet  
0599EN 04/2023



Ball valve, female-female threaded connections with nut and gasket, specific for meters connection. Standard port.

### Versions and product codes

| PRODUCT CODE | CONNECTIONS           | FINISHING           | HANDLE TYPE | HANDLE COLOR | NOTES   | PACKAGING |
|--------------|-----------------------|---------------------|-------------|--------------|---|-----------|
| R251PX002    | G 1/2"F x Nut G 1/2"F | Chrome plated brass | T-handle    | Red          | Nut without holes                             |           |
| R251PX003    | G 1/2"F x Nut G 3/4"F | Chrome plated brass | T-handle    | Red          |   |           |
| R251PX004    | G 3/4"F x Nut G 3/4"F | Chrome plated brass | T-handle    | Red          |   |           |
| R251PX005    | G 3/4"F x Nut G 1"F   | Chrome plated brass | T-handle    | Red          |   |           |
| R251PX006    | G 1"F x Nut G 1"F     | Chrome plated brass | T-handle    | Red          |   |           |
| R251PY003    | G 1/2"F x Nut G 3/4"F | Brass               | T-handle    | Red          | Nut with 3 holes of 2,5 mm, to seal the meter | Standard  |
| R251PY004    | G 3/4"F x Nut G 3/4"F | Brass               | T-handle    | Red          |   |           |
| R251PY005    | G 3/4"F x Nut G 1"F   | Brass               | T-handle    | Red          |   |           |
| R251PY006    | G 1"F x Nut G 1"F     | Brass               | T-handle    | Red          |   |           |
| R251PY045    | G 3/4"F x Nut G 1"F   | Brass               | T-handle    | Blue         |   |           |
| R251PY046    | G 1"F x Nut G 1"F     | Brass               | T-handle    | Blue         |   |           |
| R251PX052    | G 1/2"F x Nut G 1/2"F | Chrome plated brass | T-handle    | Red          | Nut without holes                             |           |
| R251PX054    | G 3/4"F x Nut G 3/4"F | Chrome plated brass | T-handle    | Red          | Nut with 3 holes of 2,5 mm, to seal the meter | Bulk      |

## ➤ Technical data

### Main features and materials

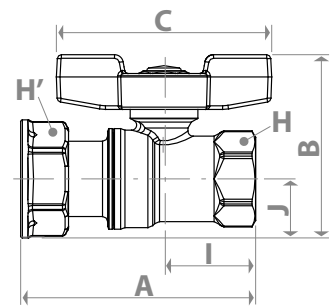
- Suitable for water for heating/cooling systems
- Standard port
- Valve made of UNI EN 12165 CW617N rough or chrome plated brass
- Stem with double O-Ring
- Nut with anti-corrosion coating, with guarantee seal and hologram
- Aluminium T-handle, red or blue painted

### Field of applications

- Temperature range: -20÷120 °C (-20 °C with 50 % glycol solutions)
- Max. working pressure at 20 °C with water:  
4,2 MPa (42 bar) for 1/2" F, 3/4" F  
3,5 MPa (35 bar) for 1" F

## ➤ Dimensions and Kv

| PRODUCT CODE | DN | A [mm] | I [mm] | B [mm] | J [mm] | C [mm] | H [mm] | H' [mm] | Kv   |
|--------------|----|--------|--------|--------|--------|--------|--------|---------|------|
| R251PX002    | 14 | 68     | 27     | 51     | 15     | 63     | wr.25  | wr.24   | 10,2 |
| R251PX003    | 14 | 76     | 27     | 54     | 18     | 63     | wr.25  | wr.30   | 10,2 |
| R251PX004    | 14 | 76     | 28     | 54     | 18     | 63     | wr.32  | wr.30   | 10,2 |
| R251PX005    | 18 | 85     | 31     | 63     | 21     | 73     | wr.32  | wr.37   | 18,5 |
| R251PX006    | 22 | 105    | 38     | 69     | 23     | 73     | wr.40  | wr.37   | 36,3 |
| R251PY003    | 14 | 76     | 27     | 54     | 18     | 63     | wr.25  | wr.30   | 10,2 |
| R251PY004    | 14 | 76     | 28     | 54     | 18     | 63     | wr.32  | wr.30   | 10,2 |
| R251PY005    | 18 | 85     | 31     | 63     | 21     | 73     | wr.32  | wr.37   | 18,5 |
| R251PY006    | 22 | 103    | 38     | 69     | 23     | 73     | wr.40  | wr.37   | 36,3 |
| R251PY045    | 18 | 85     | 31     | 63     | 21     | 73     | wr.32  | wr.37   | 18,5 |
| R251PY046    | 22 | 105    | 38     | 69     | 23     | 73     | wr.40  | wr.37   | 36,3 |
| R251PX052    | 14 | 68     | 27     | 51     | 15     | 63     | wr.25  | wr.24   | 10,2 |
| R251PX054    | 14 | 76     | 28     | 54     | 18     | 63     | wr.32  | wr.30   | 10,2 |



## ➤ Product specifications

### R251P

Ball valve, with female-female threaded connections with nut and gasket, specific for meters connection. Suitable for water for heating/cooling systems. Valve made of UNI EN 12165 CW617N rough or chrome plated brass. Standard port. Aluminium T-handle, red or blue painted. Stem with double O-Ring. Nut with anti-corrosion coating, with guarantee seal and hologram. Temperature range: -20÷120 °C (-20 °C with 50 % glycol solutions). Max. working pressure at 20 °C with water: 4,2 MPa (42 bar) for 1/2" F, 3/4" F; 3,5 MPa (35 bar) for 1" F.

**⚠ Safety Warning.** Installation, commissioning and periodical maintenance of the product must be carried out by qualified operators in compliance with national regulations and/or local standards. A qualified installer must take all required measures, including use of Individual Protection Devices, for his and others' safety. An improper installation may damage people, animals or objects towards which Giacomini S.p.A. may not be held liable.

**♻ Package Disposal.** Carton boxes: paper recycling. Plastic bags and bubble wrap: plastic recycling.

**ℹ Additional information.** For more information, go to [giacomini.com](http://giacomini.com) or contact our technical assistance service. This document provides only general indications. Giacomini S.p.A. may change at any time, without notice and for technical or commercial reasons, the items included herewith. The information included in this technical sheet do not exempt the user from strictly complying with the rules and good practice standards in force.

**♻ Product Disposal.** Do not dispose of product as municipal waste at the end of its life cycle. Dispose of product at a special recycling platform managed by local authorities or at retailers providing this type of service.