

R285



Energy
Management

Ball valve for water for heating systems, standard port

Datasheet
0613EN  10/2023



Ball valve, female threaded connection-connection for nut, specific for circulator connection. Standard port.

➤ Versions and product codes

PRODUCT CODE	CONNECTIONS	FINISHING	HANDLE TYPE	HANDLE COLOR	NOTES
R285Y001	Nut connection 1-1/2" x G 1"F	Brass	T-handle	Red	For circulator connection
R285Y002	Nut connection 1-1/2" x G 1-1/4"F	Brass	T-handle	Red	For circulator connection
R285Y003	Nut connection 2" x G 1-1/4"F	Brass	T-handle	Red	For circulator connection

Completion codes

- P18LY007: 1-1/2" completion brass nut
- P18LY009: 2" completion brass nut

Optional codes

- R288Y005: plastic check valve for R285Y001 and R285Y002
- R288Y006: plastic check valve for R285Y003

➤ Technical data

Main features and materials

- Suitable for water for heating/cooling systems
- Standard port
- Valve made of UNI EN 12165 CW617N brass
- Stem with double O-Ring
- Nut with anti-corrosion coating, with guarantee seal and hologram
- Aluminium T-handle, red painted
- Possibility to install the R288 check valve inside the valve

Field of applications

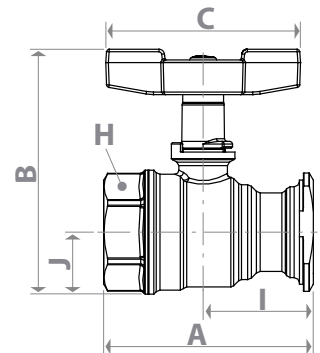
- Temperature range: -20+110 °C (-20 °C with 50 % glycol solutions)
- Max. working pressure at 20 °C with water: 3,5 MPa (35 bar)

Working conditions with R288 installed inside the valve

- Max. working temperature: 100 °C
- Max. working pressure at 20 °C with water: 1,6 MPa (16 bar)

➤ Dimensions and Kv

PRODUCT CODE	DN	A [mm]	I [mm]	B [mm]	J [mm]	C [mm]	H [mm]	Kv
R285Y001	22	79	42	92	23	73	wr.40	36,3
R285Y002	28	88	46	110	28	73	wr.48	73,5
R285Y003	28	88	46	110	28	73	wr.48	73,5



➤ Product specifications

R285

Ball valve, with female threaded connection-connection for nut, specific for circulator connection. Suitable for water for heating/cooling systems. Valve made of UNI EN 12165 CW617N brass. Standard port. Aluminium T-handle, red painted. Stem with double O-Ring. Nut with anti-corrosion coating, with guarantee seal and hologram. Temperature range: -20+110 °C (-20 °C with 50 % glycol solutions). Max. working pressure at 20 °C with water: 3,5 MPa (35 bar).

⚠ Safety Warning. Installation, commissioning and periodical maintenance of the product must be carried out by qualified operators in compliance with national regulations and/or local standards. A qualified installer must take all required measures, including use of Individual Protection Devices, for his and others' safety. An improper installation may damage people, animals or objects towards which Giacomini S.p.A. may not be held liable.

♻ Package Disposal. Carton boxes: paper recycling. Plastic bags and bubble wrap: plastic recycling.

ℹ Additional information. For more information, go to giacomini.com or contact our technical assistance service. This document provides only general indications. Giacomini S.p.A. may change at any time, without notice and for technical or commercial reasons, the items included herewith. The information included in this technical sheet do not exempt the user from strictly complying with the rules and good practice standards in force.

♻ Product Disposal. Do not dispose of product as municipal waste at the end of its life cycle. Dispose of product at a special recycling platform managed by local authorities or at retailers providing this type of service.