


**R500**
**Descrizione - Description**

Cassetta da incasso per collettori, in lamiera zincata, con telaio e portello verniciati a fuoco (RAL 9010). Serratura per la chiusura del portello.

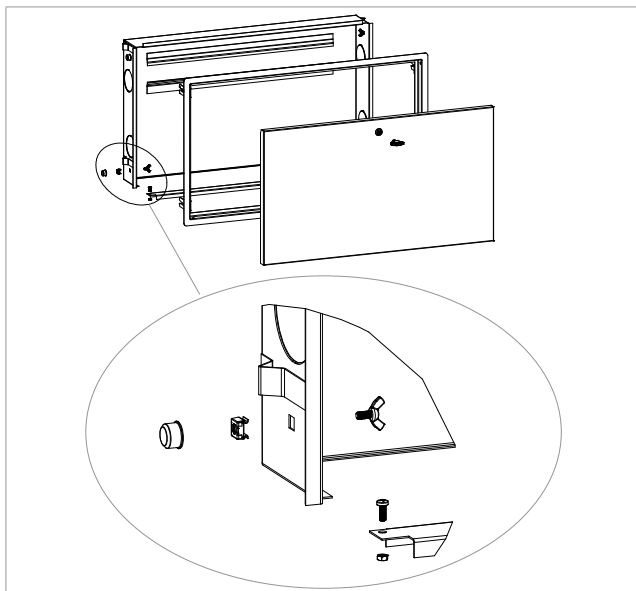
Flush-mounting cabinet for distribution manifolds. Made of electro-galvanized metal sheet. With painted frame and door (RAL9010) and lock for the door closure.

**Versioni e codici - Versions and product code**

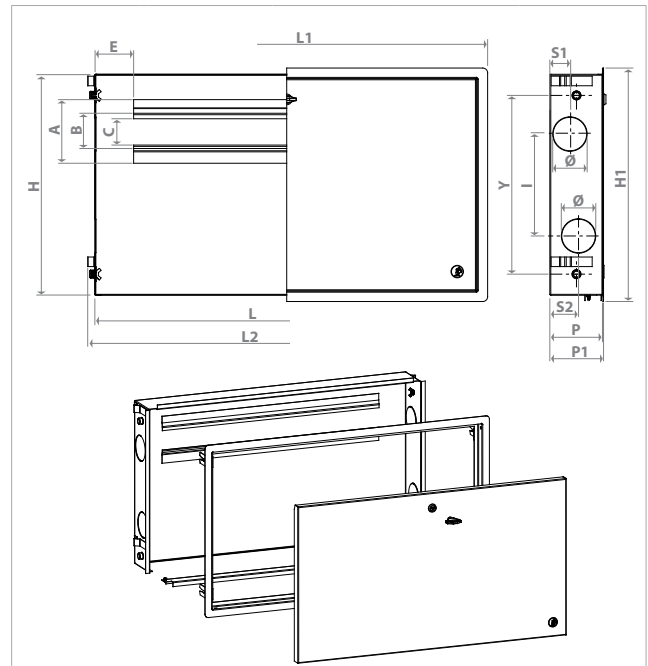
Codice Product code	Dimensioni utili nette [mm] (L x H x P) Usefull dimension [mm] (L x H x D)	Ingombri per incasso [mm] (L x H x P) Dimension for flush [mm] (L x H x D)
R500Y101	400 x 460 x 110	432 x 462 x 111÷121
R500Y102	600 x 460 x 110	632 x 462 x 111÷121
R500Y103	800 x 460 x 110	832 x 462 x 111÷121
R500Y104	1000 x 460 x 110	1032 x 462 x 111÷121

**Codici di completamento**

Codice Product code	Per cassetta For cabinet	Dimensioni [mm] (L x H) Dimension [mm] (L x H)	Supporto a pavimento Wall bearing
R510Y001	R500Y101	400 x 200	
R510Y002	R500Y102	600 x 200	
R510Y003	R500Y103	800 x 200	
R510Y004	R500Y104	1000 x 200	

**Caratteristiche principali - Main characteristic**

**Dati tecnici - Technical data**

- Portello e telaio in lamiera zincata, verniciata di colore bianco
- Serratura per la chiusura del portello
- Utilizzo in abbinamento a collettori montati su zanche R588 o R588D
- Frame and door made of galvanized metal sheet, white painted
- Lock for the door closure
- To be used in combination with manifolds mounted on R588 or R588D brackets.

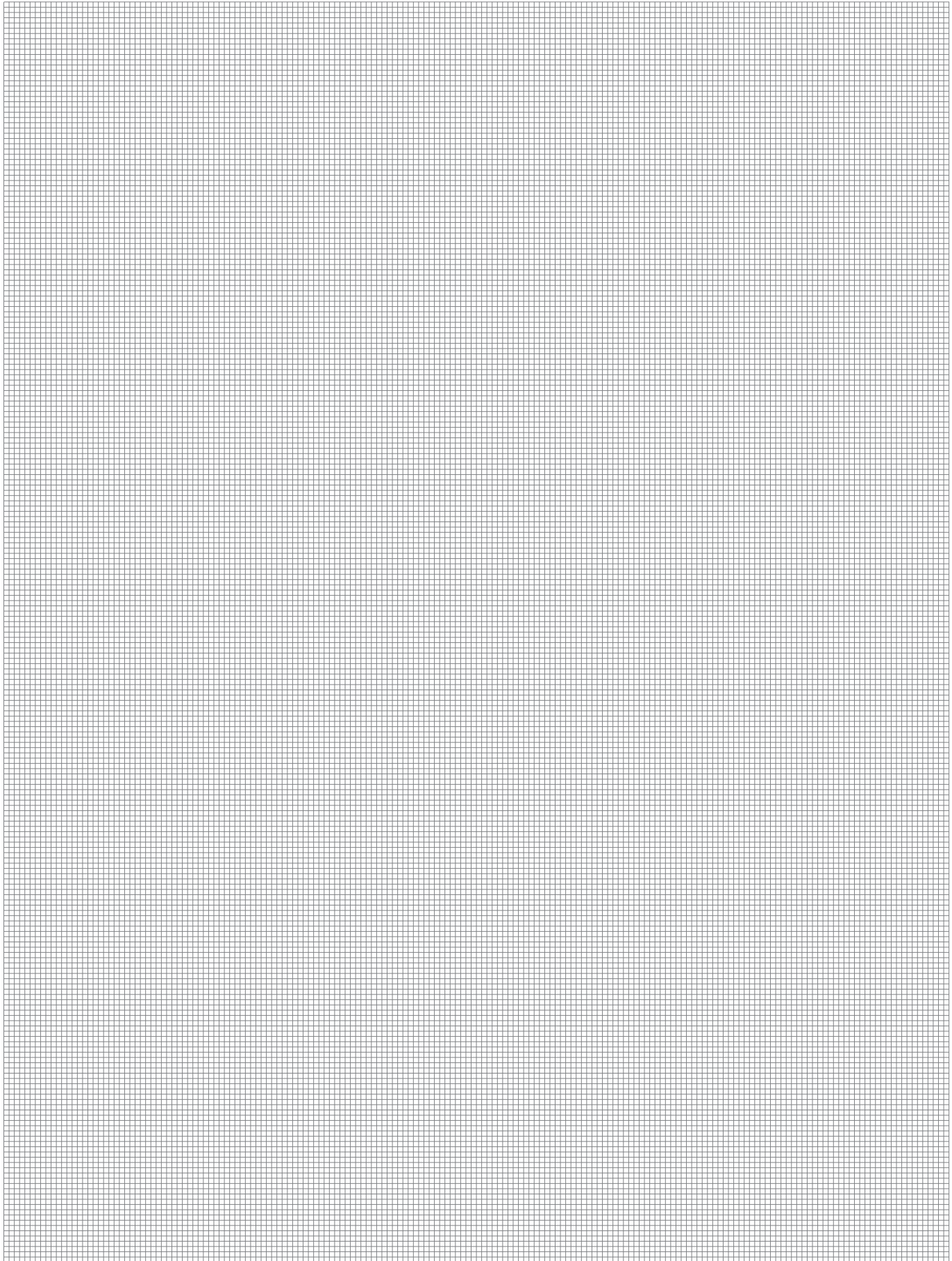
**Dimensioni - Dimensions**


Codice Code	R500Y101	R500Y102	R500Y103	R500Y104
L [mm]	400	600	800	1000
H [mm]	460	460	460	460
P [mm]	110	110	110	110
A [mm]	133	133	133	133
B [mm]	70	70	70	70
C [mm]	55	55	55	55
E [mm]	80	80	80	80
I [mm]	213	213	213	213
Y [mm]	374	374	374	374
L1 [mm]	440	640	840	1040
L2 [mm]	432	632	832	1032
H1 [mm]	490	490	490	490
P1 [mm]	111÷121	111÷121	111÷121	111÷121
S1 [mm]	42	42	42	42
S2 [mm]	60	60	60	60
Ø [mm]	72	72	72	72

**Testi di capitolato - Product specifications**
**R500**

Cassetta metallica da incasso, in lamiera elettrozincata, con portello e telaio in lamiera verniciata RAL 9010. Completa di serratura per la chiusura del portello.

Flush-mounting cabinet for distribution manifolds. Made of electro-galvanized metal sheet. With painted frame and door (RAL9010) and lock for the door closure.



**Additional information**

For additional information please check the website [www.giacomini.com](http://www.giacomini.com) or contact the technical service: ☎ +39 0322 923372 📠 +39 0322 923255 ✉ [consulenza.prodotti@giacomini.com](mailto:consulenza.prodotti@giacomini.com)  
This pamphlet is merely for information purposes. Giacomini S.p.A. retains the right to make modifications for technical or commercial reasons, without prior notice, to the items described in this pamphlet. The information described in this technical pamphlet does not exempt the user from following carefully the existing regulations and norms on good workmanship.  
Giacomini S.p.A. Via per Alzo, 39 - 28017 San Maurizio d'Opaglio (NO) Italy