

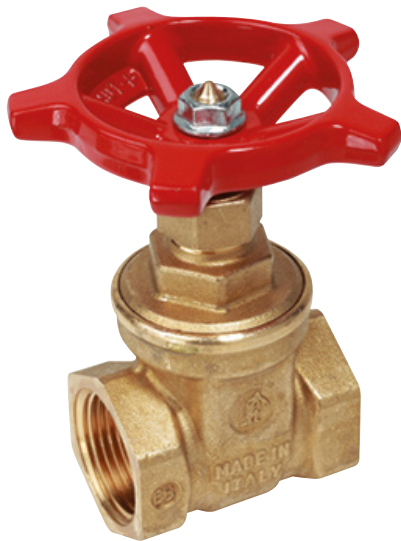
R55



Energy
Management

Gate valve

Datasheet
0179EN  03/2023



Gate valve with female-female connections.
Suitable for use with cold water, hot water and steam at low pressure.
It satisfies the requirements of PED 2014/68/UE Directive, according to which, it is exempted from CE marking according to 4.3 paragraph.

Versions and product codes

PRODUCT CODE	CONNECTIONS	PRODUCT CODE	CONNECTIONS	PRODUCT CODE	CONNECTIONS
R55Y002	G 3/8"F	R55ZY002	Rc 3/8"	R55UY003	1/2"NPT-F
R55Y003	G 1/2"F	R55ZY003	Rc 1/2"	R55UY004	3/4"NPT-F
R55Y004	G 3/4"F	R55ZY004	Rc 3/4"	R55UY005	1"NPT-F
R55Y005	G 1"F	R55ZY005	Rc 1"	R55UY006	1-1/4"NPT-F
R55Y006	G 1-1/4"F	R55ZY006	Rc 1-1/4"	R55UY007	1-1/2"NPT-F
R55Y007	G 1-1/2"F	R55ZY007	Rc 1-1/2"	R55UY008	2"NPT-F
R55Y008	G 2"F	R55ZY008	Rc 2"	R55UY009	2-1/2"NPT-F
R55Y009	G 2-1/2"F			R55UY010	3"NPT-F
R55Y010	G 3"F			R55UY012	4"NPT-F
R55Y012	G 4"F				

Technical data

Main features and materials

- Suitable for plumbing systems.
- Body: UNI EN 12165 - CW617N brass (3/8"+3")
UNI 7013 - CuSn5Zn5Pb5 bronze (4")
- Particulars in forged brass (UNI EN 12165 - CW617N) and machined from bar (UNI EN 12164 - CW614N).
- PTFE external sealing.
- Handwheel: aluminium (3/8"+3")
steel plate laminated with epoxy red
- Zinc plated steel nut for fixing of the handwheel

Field of applications

- Temperature range: 5÷110 °C (41÷230 °F)
- Max. working pressure:
16 bar / 232 psi (a 23 °C / 73 °F)
10 bar / 145 psi (a 95 °C / 203 °F)

Installation

Gate valves can be installed horizontally or vertically.

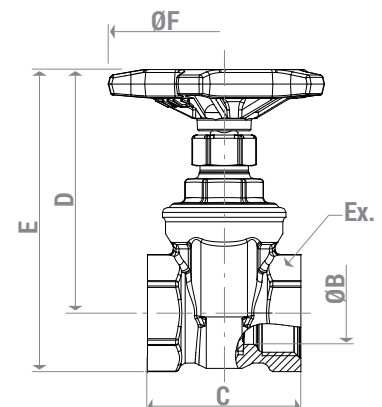
The slow and proportional manoeuvre avoid the water hammer phenomenon.

Pay attention during the installation phase avoiding forcing the pipe screwing and deforming the sealing seats.

Gate valves can also work in intermediate positions of the stroke, so as to parzialize the flow into pipes.

Dimensions and Kv

SIZE	ØB [mm]	C [mm]	D [mm]	EX. [mm]	E [mm]	ØF [mm]	Kv
3/8"	12	37	60	22	72	59	8
1/2"	14	43	64	26	79	59	12
3/4"	19	48	76	33	94	72	36
1"	25	54	87	40	109	72	61
1 1/4"	32	62	96	49	130	84	90
1 1/2"	38	64	116	55	147	95	180
2"	51	76	140	69	178	108	290
2 1/2"	60	80	186	84	233	145	400
3"	70	84	198	98	256	145	670
4"	93	96	240	-	-	120	1202



Product specifications

R55

Gate valve with female-female threads. It is suitable for use with cold water, hot water and steam at low pressure. Body: brass UNI EN 12165 - CW617N (3/8"+3"); bronze UNI 7013 - CuSn5Zn5Pb5 (4"). Particulars in forged brass (UNI EN 12165 - CW617N) and machined from bar (UNI EN 12164 - CW614N). PTFE external sealing. Handwheel: aluminium (3/8"+3"); steel plate laminated with epoxy red (4"). Zinc plated steel nut for fixing of the handwheel. Temperature range 5÷110 °C (41÷230 °F). Max. working pressure 16 bar / 232 psi (a 23 °C / 73 °F); 10 bar / 145 psi (a 95 °C / 203 °F). It satisfies the requirements of PED 2014/68/UE Directive, according to which, it is exempted from CE marking according to 4.3 paragraph.

⚠ Safety Warning. Installation, commissioning and periodical maintenance of the product must be carried out by qualified operators in compliance with national regulations and/or local standards. A qualified installer must take all required measures, including use of Individual Protection Devices, for his and others' safety. An improper installation may damage people, animals or objects towards which Giacomini S.p.A. may not be held liable.

♻ Package Disposal. Carton boxes: paper recycling. Plastic bags and bubble wrap: plastic recycling.

ℹ Additional information. For more information, go to giacomini.com or contact our technical assistance service. This document provides only general indications. Giacomini S.p.A. may change at any time, without notice and for technical or commercial reasons, the items included herewith. The information included in this technical sheet do not exempt the user from strictly complying with the rules and good practice standards in force.

♻ Product Disposal. Do not dispose of product as municipal waste at the end of its life cycle. Dispose of product at a special recycling platform managed by local authorities or at retailers providing this type of service.