



R554D

Description

Intermediate group for manifolds, in brass, with self-sealing. Provided with: automatic air vent valve (R88), drain tap (R608), thermometer (R540), terminal plug (R592D). Suitable for heating and cooling systems, with water and glycol solutions.

Versions and product codes

Product code	Connections
R554DY005	1"
R554DY006	1 1/4"

Technical data

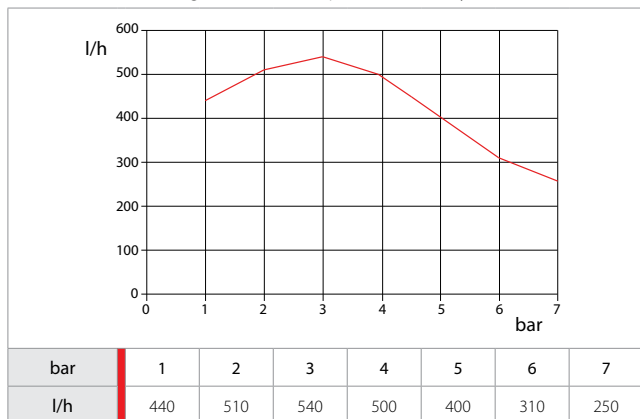
- Temperature range: 5÷110 °C
- Maximum working pressure: 10 bar
- Maximum pressure of air vent operation: 7 bar (R88)
- Terminal plug: 1" M (R592D)
- Plug: 1/2" M (R92)
- Thermometer: 3/8", Ø 40 mm, range 0÷80 °C (R540)
- Drain tap: 1/2", with hose connection (R608)

Materials

- Body, plugs and drain tap: UNI EN 12165 CW617N brass
- Gaskets: EPDM
- Body (R88): ottone UNI EN 12165 CW617N
- O-Ring (R88): EPDM
- Shutter spring (R88): inox
- Internal float (R88): PP-H

Performance

The table and the graph report the air capacities in discharge, in standard conditions at the change of the relative pressure of the system.

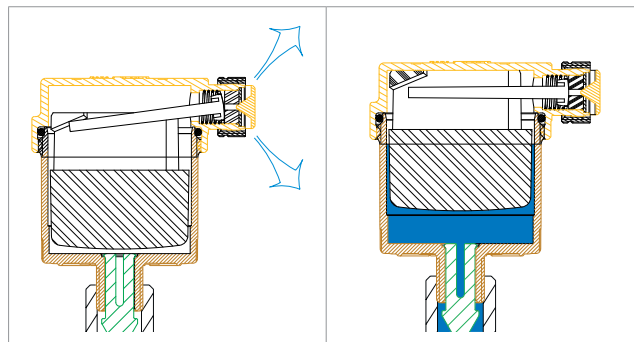


Operation

The operation of the automatic air vent valve is based on the principle of the floating of bodies immersed in a fluid. When there is no air accumulation into the valve body, the float is in raised position and through the mechanism, it keeps the obturator under closing.

The lowering of the floating level caused by the air accumulation into the valve body, involves the obturator opening and the consequent discharge that persists up to the reintroduction of the initial conditions. At the system load, as there is no water into the valve body, the float is completely down permitting to the air to flow quickly.

The air discharge is prevented by screwing the lateral plug. In normal operation conditions, the plug shall be unscrewed.



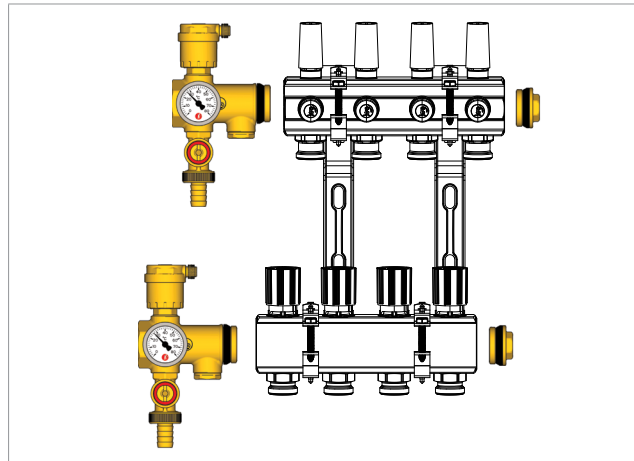
Installation

The R554D group is usually installed on the manifolds. It must be put in vertical position, with the plug facing upwards. The installation is advisable in places that can be easily inspected.



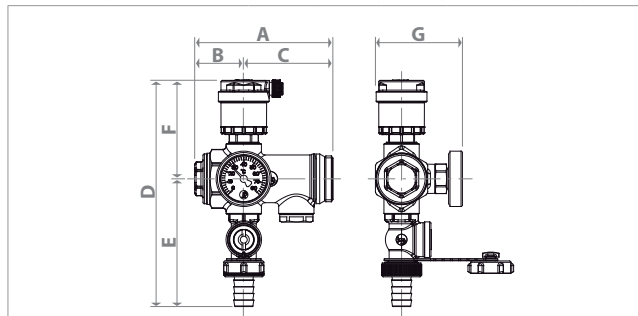
Warning.
Close the cap of the air vent valve when rinsing out and filling the system, to prevent impurities from entering the mechanisms of the valve and damaging it.

Example of installation with the manifold





Dimensions



Product code	Connections	A [mm]	B [mm]	C [mm]	D [mm]	E [mm]	F [mm]	G [mm]
R554DY005	1"	100	36	64	164	92	72	63
R554DY006	1 1/4"	106	40	66	171	96	75	71

Product specifications

R554D

Intermediate group for manifolds, in brass, with self-sealing. Provided with: automatic air vent valve (R88), drain tap (R608), thermometer (R540), terminal plug (R592D). Suitable for heating and cooling systems, with water and glycol solutions. Temperature range: 5÷110 °C. Maximum working pressure: 10 bar. Maximum pressure of air vent operation: 7 bar (R88).

Additional information

For additional information please check the website www.giacomini.com or contact the technical service: ☎ +39 0322 923372 📠 +39 0322 923255 ✉ consulenza.prodotti@giacomini.com
 This pamphlet is merely for information purposes. Giacomini S.p.A. retains the right to make modifications for technical or commercial reasons, without prior notice, to the items described in this pamphlet. The information described in this technical pamphlet does not exempt the user from following carefully the existing regulations and norms on good workmanship.
 Giacomini S.p.A. Via per Alzo, 39 - 28017 San Maurizio d'Opaglio (NO) Italy