

R90



Energy
Management

Plug for radiators with manual air vent valve

Datasheet
1082EN  03/2022



Plug for radiators, nickel-plated brass.
Equipped with manual air vent and self-sealing gasket.
Opening with square key and possibility of rotating the drain.

➤ Versions and product code

PRODUCT CODE	CONNECTIONS
R90X001	G 1/4" M
R90X002	G 3/8" M
R90X003	G 1/2" M

Optional

- R74Y001: square key for adjustment

➤ Technical data

- Fluids: water, compressed air
- Temperature range: 5÷110 °C
- Max. working pressure: 25 bar
- Vent capacity: 30 l/h at 2 bar (0,0 cfm at 30 psi), 1 turn open

Materials

- Body: nickel-plated brass
- O-Ring: EPDM
- Handle: high resistance plastic

Installation

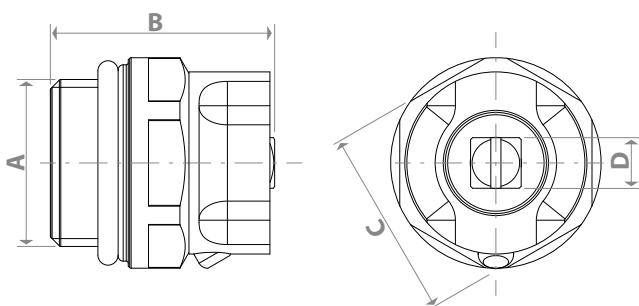
R90 plugs are self-sealing ISO threaded.
Tape or pipe dope are not required.
Checking thread compatibility, before the installation.
Max applicable torque: 40 Nm.

Operation

To eliminate air from the system, open the purge turning the top part counterclockwise.
Use a dedicated tool (R74) or a screwdriver.
Max. opening torque: 0.8 Nm.
When air will be completely purged, water starts dropping from the R90.
The top part can be oriented in any convenient direction.

▲ WARNING. When used with hot water, pay attention to the risk contact of drain hot water with hands or eyes.

Dimensions



PRODUCT CODE	CONNECTIONS A	B [mm]	C [mm]	D [mm]
R90X001	G 1/4"M	22	wr.19	5
R90X002	G 3/8"M	22	wr.19	5
R90X003	G 1/2"M	22	wr.22	5

Product specifications

R90

Plug for radiators, nickel-plated brass. Equipped with manual air vent and EPDM self-seal gasket. Opening with square key and possibility of rotating the drain. Temperature range: 5-110 °C. Maximum working pressure: 25 bar.

▲ Safety Warning. Installation, commissioning and periodical maintenance of the product must be carried out by qualified operators in compliance with national regulations and/or local standards. A qualified installer must take all required measures, including use of Individual Protection Devices, for his and others' safety. An improper installation may damage people, animals or objects towards which Giacomini S.p.A. may not be held liable.

♻️ Package Disposal. Carton boxes: paper recycling. Plastic bags and bubble wrap: plastic recycling.

ℹ️ Additional information. For more information, go to giacomini.com or contact our technical assistance service. This document provides only general indications. Giacomini S.p.A. may change at any time, without notice and for technical or commercial reasons, the items included herewith. The information included in this technical sheet do not exempt the user from strictly complying with the rules and good practice standards in force.

♻️ Product Disposal. Do not dispose of product as municipal waste at the end of its life cycle. Dispose of product at a special recycling platform managed by local authorities or at retailers providing this type of service.